

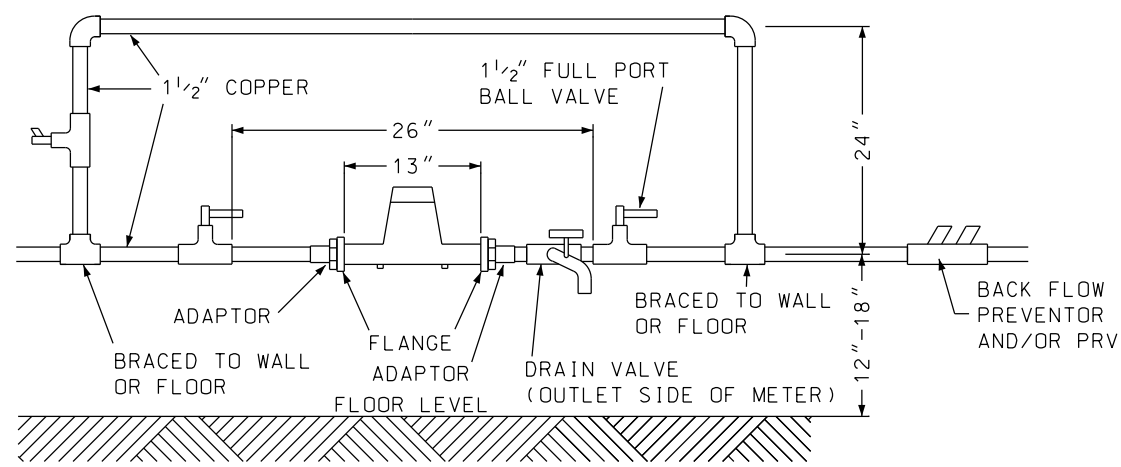
**TOP VIEW**

(BY-PASS IN HORIZONTAL POSITION)

— FLOW —>

NO OBSTRUCTIONS

**NOTE: METER MUST BE INSTALLED ON HORIZONTAL PLAIN**




**FRONT VIEW**

(BY-PASS IN VERTICAL POSITION)

**NOTES TO BUILDER AND PLUMBER**

- (1) ALL METERS MUST BE ACCESSIBLE FOR READING AND REPLACEMENT. ANY OBSTRUCTIONS WILL BE BASIS FOR TERMINATION OF THE WATER SUPPLY.
- (2) ALL WATER METERS ARE MARKED WITH A FLOW DIRECTIONAL ARROW. PLEASE ENSURE ARROW CORRESPONDS WITH WATER FLOW.
- (3) REMOVE METER FROM SERVICE BEFORE SOLDERING. HEAT AND SOLDER WILL DAMAGE THE INNER COMPONENTS OF THE WATER METER. **AN INVOICE WILL BE FORWARDED FOR ANY DAMAGED METERS.**
- (4) ALL METER SETS MUST HAVE A FULL PORT BALL VALVE BEFORE AND AFTER AS WELL AS A BY-PASS WITH A FULL PORT BALL VALVE AS THE DRAWING INDICATES.
- (5) BACKFLOW PREVENTORS AND PRESSURE REDUCING VALVES **MUST BE INSTALLED AFTER METER SET.**
- (6) BACKFLOW PREVENTOR PREMISE VALVES MUST BE INSTALLED WITHIN 3m (10') OF THE WATER METER AND EXCESSIVE PIPING IN BETWEEN THESE DEVICES MUST BE LABELED "NO CONNECTION PERMITTED".
- (7) 2' CLEARANCE ABOVE AND 3' CLEARANCE IN FRONT OF THE WATER METER IS MANDATORY.
- (8) 1 1/2" BY-PASS TO BE INSTALLED 2' ABOVE OR BESIDE THE WATER METER ON A HORIZONTAL LINE FOR AN ADDITIONAL METER IF AN INCREASE OF WATER SUPPLY IS NEEDED.
- (9) BY-PASS TO BE NO MORE THAN 4' OFF FLOOR.
- (10) BY-PASS TO BE COPPER.
- (11) THE CITY WILL SUPPLY ONE 1 1/2" WATER METER, METER FLANGES, GASKETS AND NUTS/BOLTS FOR METER SET.
- (12) WATER METER TO BE INSTALLED BY THE PLUMBING CONTRACTOR.
- (13) ALL WATER METERS MUST BE INSTALLED USING THE SUPPLIED METER FLANGES AND GASKETS. DOUBLE GASEKTS ARE REQUIRED FOR BOTH ENDS OF THE METER. ONE GASKET TO ENTER TOP OF FLANGE AND THE OTHER FROM THE BOTTOM OF THE FLANGE OF EACH END. NO OTHER MATERIAL WILL BE ACCEPTED.
- (14) CALL 519-741-2600 X 4537 FOR FURTHER ASSISTANCE.

1 1/2" METER SET - STANDARD		 <b>Kitchener Utilities</b>
1 1/2" METER SET - BFP		
1 1/2" METER SET - PRV		
DRAWN	RJB	SCALE N.T.S.
CHECKED		DATE May 22 2015