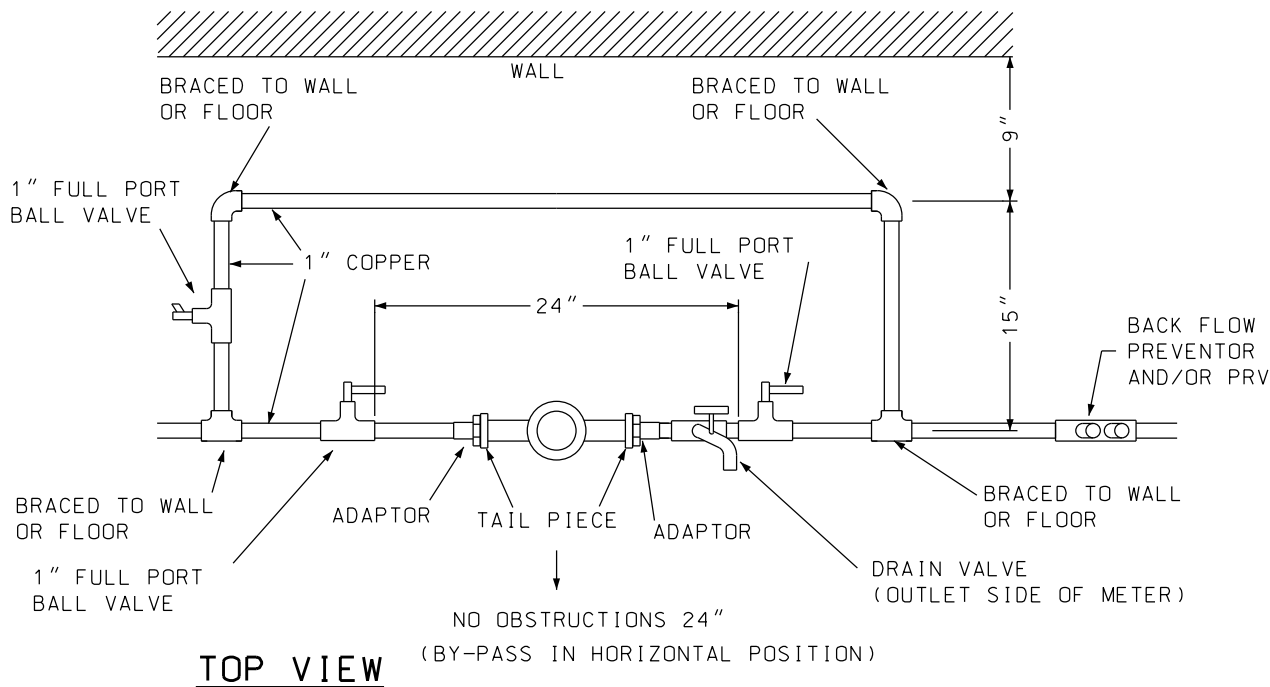


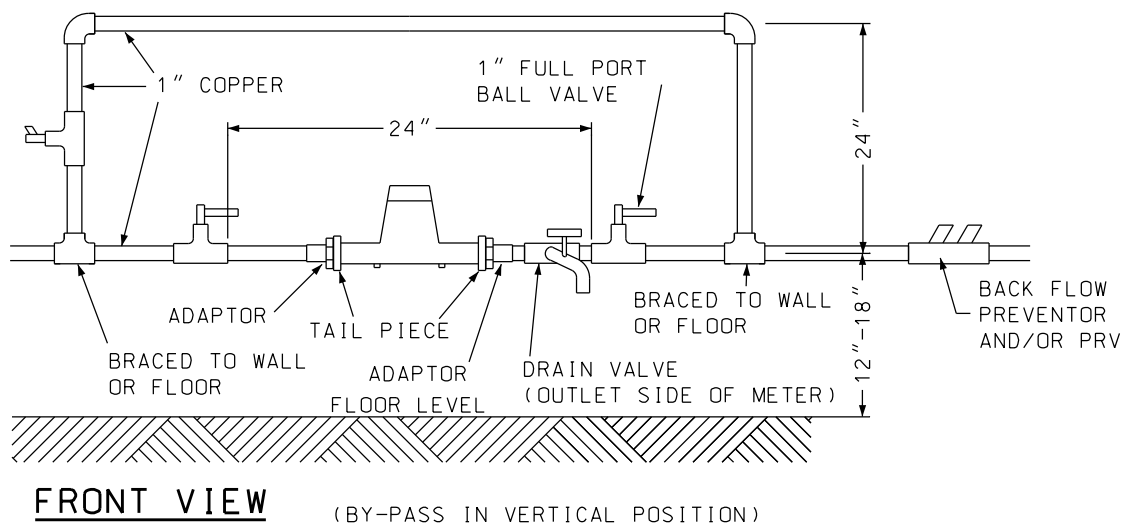
NOTES TO BUILDER AND PLUMBER

- (1) ALL METERS MUST BE ACCESSIBLE FOR READING AND REPLACEMENT. ANY OBSTRUCTIONS WILL BE BASIS FOR TERMINATION OF THE WATER SUPPLY.
- (2) ALL WATER METERS ARE MARKED WITH A FLOW DIRECTIONAL ARROW. PLEASE ENSURE ARROW CORRESPONDS WITH WATER FLOW.
- (3) REMOVE METER FROM SERVICE BEFORE SOLDERING. HEAT AND SOLDER WILL DAMAGE THE INNER COMPONENTS OF THE WATER METER. **AN INVOICE WILL BE FORWARDED FOR ANY DAMAGED METERS.**
- (4) ALL METER SETS MUST HAVE A FULL PORT BALL VALVE BEFORE AND AFTER AS WELL AS A BY-PASS WITH A FULL PORT BALL VALVE AS THE DRAWING INDICATES.
- (5) BACKFLOW PREVENTORS AND PRESSURE REDUCING VALVES **MUST BE INSTALLED AFTER METER SET.**
- (6) BACKFLOW PREVENTOR PREMISE VALVES MUST BE INSTALLED WITHIN 3m (10') OF THE WATER METER AND EXCESSIVE PIPING IN BETWEEN THESE DEVICES MUST BE LABELED "NO CONNECTION PERMITTED".
- (7) 2' CLEARANCE ABOVE AND 2' CLEARANCE IN FRONT OF THE WATER METER IS MANDATORY.
- (8) BY-PASS MUST BE INSTALLED FOR ALL 1" INSTALLATIONS.
- (9) 1" BY-PASS TO BE INSTALLED 2' ABOVE OR BESIDE THE WATER METER ON A HORIZONTAL LINE FOR AN ADDITIONAL METER IF AN INCREASE OF WATER SUPPLY IS NEEDED.
- (10) BY-PASS TO BE NO MORE THAN 4' OFF FLOOR.
- (11) BY-PASS TO BE COPPER.
- (12) THE CITY WILL SUPPLY ONE 1" WATER METER, TAIL PIECES AND GASKETS FOR METER SET.
- (13) WATER METER TO BE INSTALLED BY THE PLUMBING CONTRACTOR.
- (14) ALL WATER METERS MUST BE INSTALLED USING THE SUPPLIED TAIL PIECES AND GASKETS. NO OTHER MATERIAL WILL BE ACCEPTED.
- (15) CALL 519-741-2600 X 4537 FOR FURTHER ASSISTANCE.



— FLOW —→

NOTE: METER MUST BE INSTALLED ON HORIZONTAL PLAIN



1" METER SET - STANDARD
1" METER SET - BFP (bypass req'd)
1" METER SET - PRV (bypass req'd)



DRAWN RJB

SCALE N.T.S.

CHECKED

DATE May 22 2015