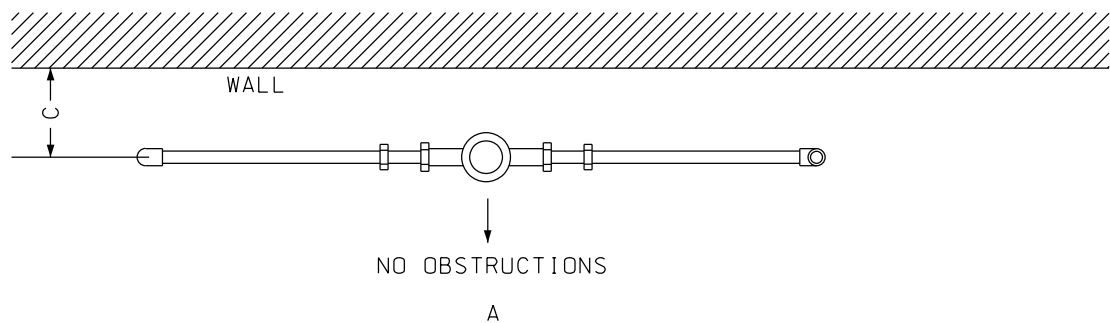


ELEVATION




PLAN

NOTE TO BUILDER AND PLUMBER

- (1) BRING 1" SERVICE INTO ALL RESIDENTIAL DWELLINGS AND REDUCE TO 3/4" AT FIRST STOP.
- (2) ALL METERS MUST BE ACCESSIBLE FOR READING AND REPLACEMENT. ANY OBSTRUCTIONS WILL BE BASIS FOR TERMINATION OF THE WATER SUPPLY.
- (3) ALL WATER METERS ARE MARKED WITH A FLOW DIRECTIONAL ARROW. PLEASE ENSURE ARROW CORRESPONDS WITH WATER FLOW.
- (4) REMOVE METER COUPLINGS & GASKETS FROM THE METER BEFORE SOLDERING. HEAT AND SOLDER WILL DAMAGE THE INNER COMPONENTS OF THE WATER METER.
- (5) ALL METER SETS MUST HAVE A SHUT OFF VALVE BEFORE AND AFTER THE METER AS DRAWING INDICATES.
- (6) ALL WATER METERS MUST BE INSTALLED USING THE SUPPLIED METER COUPLINGS AND GASKETS.
- (7) A BY-PASS MUST BE ADDED IF THE WATER METER IS A COMMERCIAL SET.
- (8) CALL 519-741-2600X 4537 FOR FURTHER ASSISTANCE.

TABLE

SIZE OF METER	A	B	C
5/8"	24"	12"-18"	6"

RESIDENTIAL 5/8" METER SET	 Kitchener Utilities
DRAWN RJB	SCALE N.T.S.
CHECKED	DATE May 22 2015