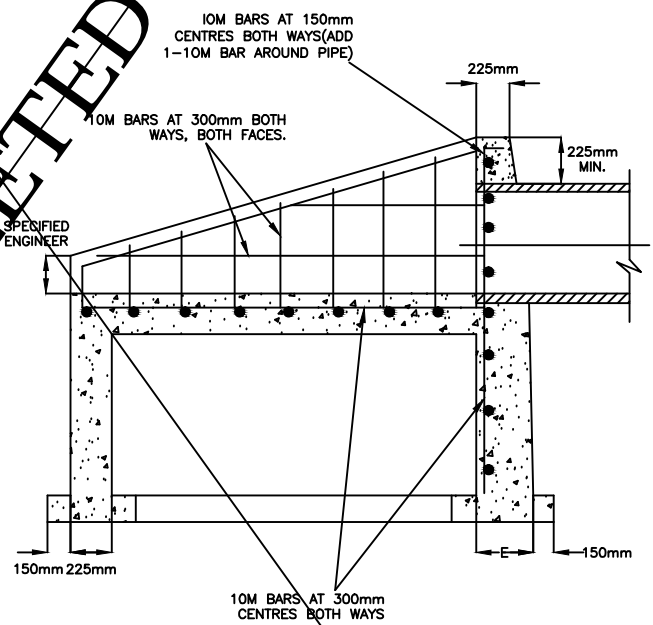
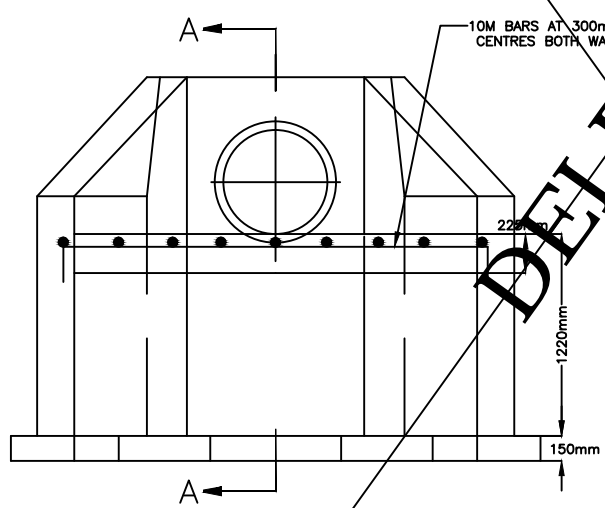


**NOTES**

1. FIELD TILES TO BE LOCATED BY FIELD ENGINEER. ALL EXPOSED EDGES TO HAVE 25mm CHAMBER.
2. ENERGY DISSIPATORS (CHUTE BLOCKS), MAY BE USED ON THE APRON AT THE DISCRETION OF THE ENGINEER.
3. ALL CONCRETE TO BE 20MPa COMPRESSIVE STRENGTH AT 28 DAYS & CONTAINING 5% TO 8% ENTRAINED AIR.
4. CONSTRUCTION JOINTS TO BE APPROVED BY THE ENGINEER.
5. REINFORCING BARS TO HAVE 50mm COVER.
6. FOOTINGS AND WALLS TO BE BACKFILLED WITH COMPACTED GRANULAR 'B'
7. GRATING FOR CONCRETE ENDWALL REFER TO OPSD



SECTION A-A

ENDWALL DIMENSIONS												
PIPE DIAMETER IN MILLIMETRES												
	600	675	750	825	900	975	1050	1200	1350	1500	1650	1800
A	1070	1140	1220	1300	1370	1450	1520	1680	1830	1980	2130	2290
B	2440	2440	2440	2400	2440	3050	3050	3050	3050	3050	3050	3050
C	2770	2770	2770	2770	2770	2850	3450	3450	3450	3450	3450	3450
D	1420	1500	1580	1650	1730	1800	1880	2030	2180	2340	2490	2640
E	310	310	310	310	310	380	380	380	380	380	380	380
F	80	80	80	80	80	150	150	150	150	150	150	150
G	1550	1630	1700	1780	1850	2010	2080	2240	2390	2540	2690	2850
H	2390	2460	2540	2620	2690	2770	3150	3300	3450	3610	3760	3910

CONCRETE ENDWALL WITH APRON FOR STORM SEWER OUTLET

The Corporation Of The  
**CITY OF KITCHENER**



No.	REVISION	DATE	Scale:	N.T.S.
			Rev. Date:	JUNE 2010
			Std. No.:	305