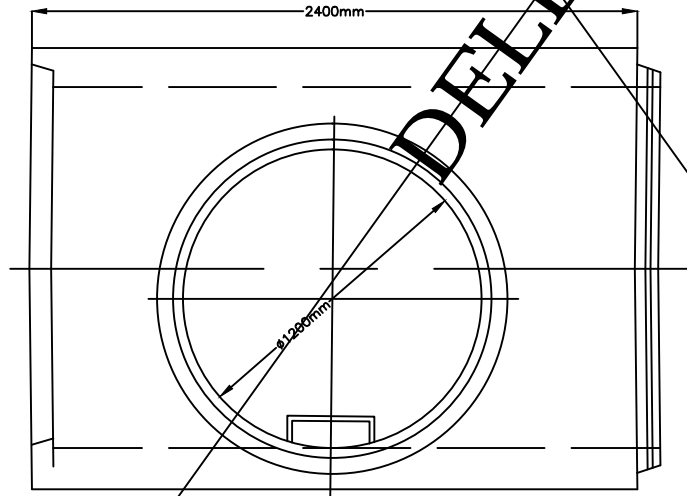


NOTES

1. REINFORCED CONCRETE PIPE MANUFACTURED TO CSA SPECIFICATION.
2. MANHOLE RISER MANUFACTURED TO CSA SPECIFICATION.
3. PRECAST MANHOLE RISER MAY BE SPIGOT OR BELL END UP, DEPENDING ON SUPPLIER.
4. MANHOLE RISER SECTION REINFORCING WELDED TO PIPE REINFORCING, JOINT GROUTED WITH NON-SHRINK MORTAR.
5. REFER TO OPSD FOR DETAILS OF FRAME AND COVER AND ADJUSTMENT.
6. RUNGS SHALL BE INSTALLED ON LEFT SIDE, LOOKING AT SPIGOT END OF PIPE.
7. RUNGS TO BE GALVANIZED AS PER OPSD & INSTALLED ON 300mm CENTRES TO SPRINGLINE.



DELETED

<p>PRECAST MANHOLE TEE</p>	<p>The Corporation Of The CITY OF KITCHENER</p>					Scale:	N.T.S.
			No.	REVISION	DATE	Rev. Date:	JUNE 2010
						Std. No.:	303