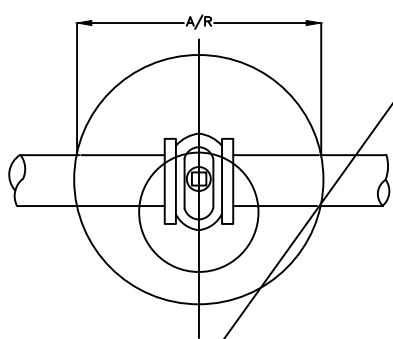


MIN. 1830mm
MAY INVOLVE LOWERING BASE
300mm INDICATED

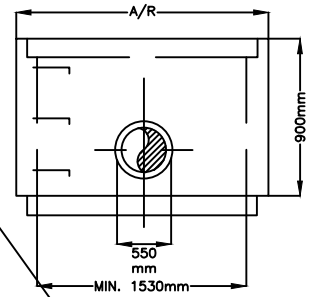
STANDARD PRECAST
CONC. VALVE CHAMBER
SIDE VIEW SECT.

END VIEW SECT.

PRECAST CAP WITH OFFSET M.H.



PRECAST SECTION-CUT OUT VIEW



NOTES

1. ALL MATERIAL PLACED AROUND CHAMBER TO BE PROPERLY COMPACTED.
2. 1830mm MIN. FROM BOTTOM OF CHAMBER TO UNDERSIDE OF PRECAST CAP.
3. PRECAST CAP TO BE REMOVABLE.
4. PRECAST CONCRETE TO COMPLY WITH CURRENT CSA SPECIFICATIONS.
5. UNLESS NOTED ALL DIMENSIONS IN MILLIMETRES.
6. A/R-AS REQUIRED BY LOAD AND SITE CONDITIONS.

DIMENSIONAL STANDARDS
FOR PRECAST VALVE CHAMBER
(FOR 300mm GATE VALVE)

The Corporation Of The
**CITY OF
KITCHENER**



No.	REVISION	DATE
-----	----------	------

Scale:	N.T.S.
Rev. Date:	JUNE 2010
Std. No.:	200