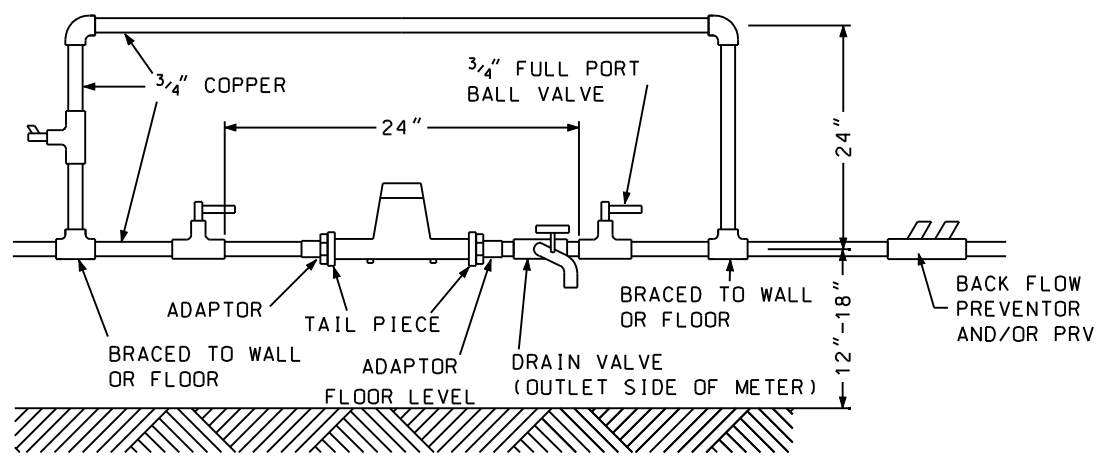


TOP VIEW
(BY-PASS IN HORIZONTAL POSITION)


— FLOW —>



FRONT VIEW
(BY-PASS IN VERTICAL POSITION)

NOTES TO BUILDER AND PLUMBER

- (1) ALL METERS MUST BE ACCESSIBLE FOR READING AND REPLACEMENT. ANY OBSTRUCTIONS WILL BE BASIS FOR TERMINATION OF THE WATER SUPPLY.
- (2) ALL WATER METERS ARE MARKED WITH A FLOW DIRECTIONAL ARROW. PLEASE ENSURE ARROW CORRESPONDS WITH WATER FLOW.
- (3) REMOVE METER FROM SERVICE BEFORE SOLDERING. HEAT AND SOLDER WILL DAMAGE THE INNER COMPONENTS OF THE WATER METER. **AN INVOICE WILL BE FORWARDED FOR ANY DAMAGED METERS.**
- (4) ALL METER SETS MUST HAVE A FULL PORT BALL VALVE BEFORE AND AFTER AS WELL AS A BY-PASS WITH A FULL PORT BALL VALVE AS THE DRAWING INDICATES.
- (5) BACKFLOW PREVENTORS AND PRESSURE REDUCING VALVES **MUST BE INSTALLED AFTER METER SET.**
- (6) BACKFLOW PREVENTOR PREMISE VALVES MUST BE INSTALLED WITHIN 3m (10') OF THE WATER METER AND EXCESSIVE PIPING IN BETWEEN THESE DEVICES MUST BE LABELED "NO CONNECTION PERMITTED".
- (7) 2' CLEARANCE ABOVE AND 2' CLEARANCE IN FRONT OF THE WATER METER IS MANDATORY.
- (8) BY-PASS NOT REQUIRED FOR SINGLE UNIT RESIDENTIAL PROPERTIES.
- (9) BY-PASS REQUIRED FOR ALL MULTIPLE RESIDENTIAL UNITS.
- (10) BY-PASS REQUIRED FOR ALL COMMERCIAL BUILDINGS.
- (11) 3/4" BY-PASS TO BE INSTALLED 2' ABOVE OR BESIDE THE WATER METER ON A HORIZONTAL LINE FOR AN ADDITIONAL METER IF AN INCREASE OF WATER SUPPLY IS NEEDED.
- (12) BY-PASS TO BE NO MORE THAN 4' OFF FLOOR.
- (13) BY-PASS TO BE COPPER.
- (14) THE CITY WILL SUPPLY ONE 5/8" WATER METER, TAIL PIECES AND GASKETS FOR METER SET.
- (15) WATER METER TO BE INSTALLED BY THE PLUMBING CONTRACTOR.
- (16) ALL WATER METERS MUST BE INSTALLED USING THE SUPPLIED TAIL PIECES AND GASKETS. NO OTHER MATERIAL WILL BE ACCEPTED.
- (17) CALL 741-2537 FOR FURTHER ASSISTANCE.

5/8" METER SET - COMMERCIAL (bypass req'd) 5/8" METER SET - BFP (bypass req'd) 5/8" METER SET - PRV (bypass req'd)		 Kitchener Utilities	
DRAWN	RJB	SCALE	N. T. S.
CHECKED		DATE	NOV 29 2010